

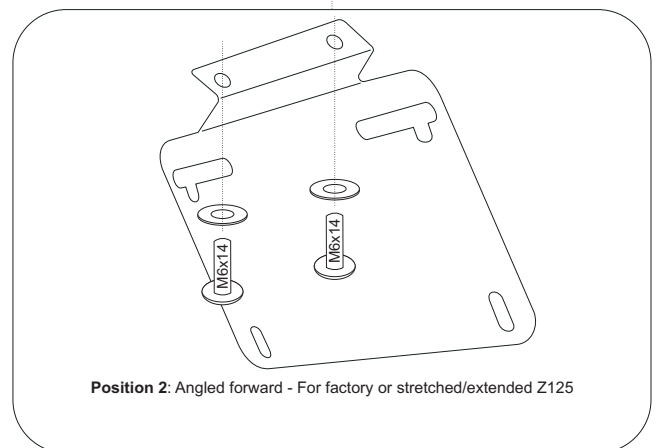
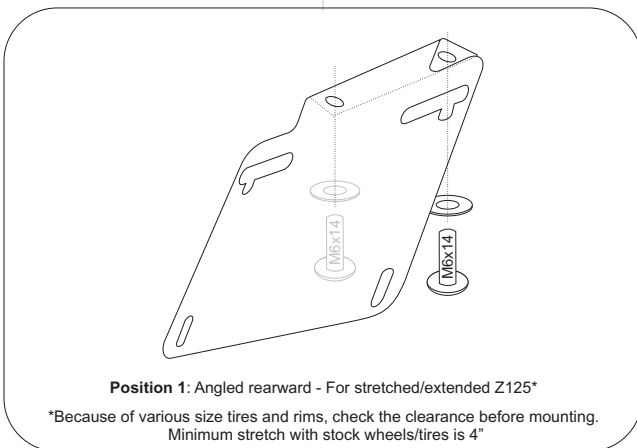
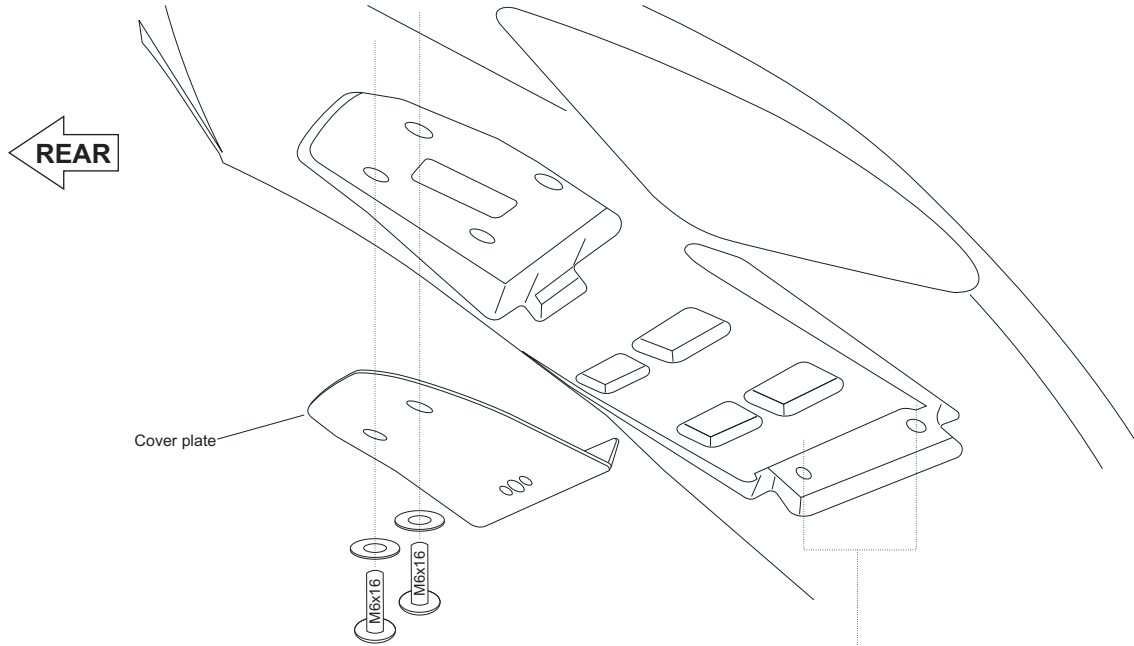
2017-2023 Kawasaki Z125 Pro Extended/Stretched Low Profile Fender Eliminator Kit

Parts List

x1 Position 1 plate holder	x2 M6x16mm bolts
x1 Position 2 plate holder	x6 M6x14mm bolts
x1 Cover plate	x4 M6 nylon lock nuts
x1 License plate LED light	x2 M6 washers
x1 License plate harness adapter	x4 M6 large OD washers

Recommended

Loctite or thread sealer



1. Remove seat

2. Disconnect factory license plate light and turn signal wires located on the left side rear behind the side panel

3. From beneath, remove four (4) bolts holding the factory rear fender to the under tail, then pull out along with the wires from step 2. These bolts are no longer needed.

4. Mount the license plate LED light to the cover plate and connect the plug and play license plate harness adapter.

5. Feed the wire from step 4 through the rectangular hole on the under tail and mount the cover plate using the 2 (two) M6x16mm bolts and M6 washers supplied with the kit. Apply a drop of Loctite or thread sealer on these bolts.

6. Plug in the license plate harness back to the bike.

7. Remove the 2 factory bolts from the under tail. These bolts will not longer be used. Determine if Position 1 or Position 2 plate holder is to be used and mount to under tail use 2 (two) M6x14mm bolts and washers. Use a drop of Loctite or thread sealer on these bolts.

8. Mount the license plate using the four M6x14mm bolts, large OD washers, and lock nuts

NOTE: Installing this fender eliminator will result in the loss of your turn signals, we recommend to install an integrated tail light.