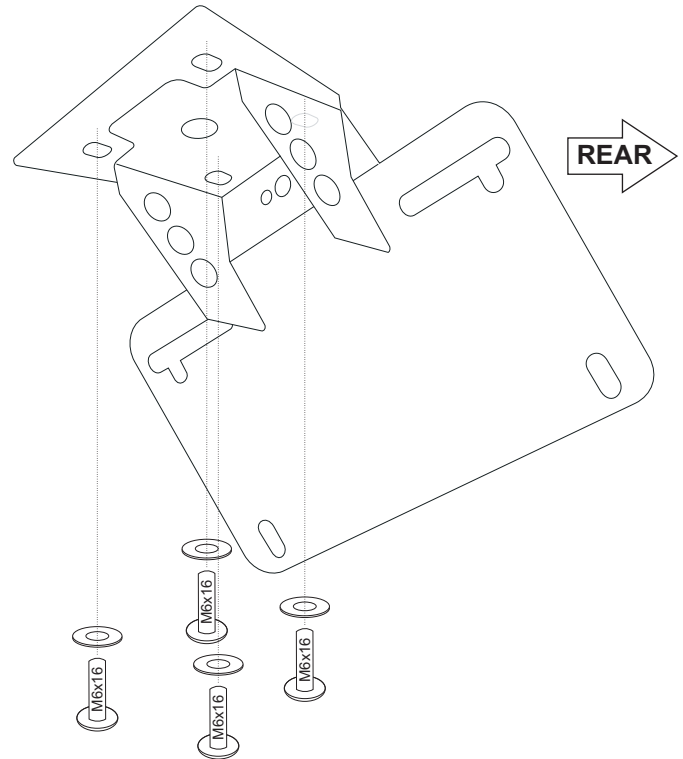


2017-2022 Kawasaki Z125 Pro Fender Eliminator Kit

Parts List

x1 Fender eliminator assembly	Recommended
x1 License plate LED light	Loctite or thread sealer
x1 License plate harness adapter	
x4 M6x16mm bolts	
x4 M6x14mm bolts	
x4 M6 nylon lock nuts	
x4 M6 washers	
x4 M6 large OD washers	
x2 Factory signal adapters (For USA/Similar models)	
x2 Aftermarket signal adapters	



1. Remove seat

2. Disconnect factory license plate light and turn signal wires located on the left side rear behind the side panel

3. From beneath, remove four (4) bolts holding the factory rear fender to the under tail, then pull out along with the wires from step 2. These bolts are no longer needed.

4. Mount the license plate LED light to fender eliminator assembly and run the wire through to the top round hole. Connect the plug and play license plate harness adapter.

5. Feed the wire from step 4 through the rectangular hole on the under tail and mount the fender eliminator assembly using the 4 (four) M6x16mm bolts and M6 washers supplied with the kit. Apply a drop of Loctite or thread sealer on these bolts.

6. Plug in the license plate harness back to the bike.

7. Mount the license plate using the four M6x14mm bolts, large OD washers, and lock nuts

Installing with factory rear turn signals (for USA/Similar models)

1. Disassemble the rear fender from step 3 above and remove the factory turn signals

2. Mount the factory turn signals onto the factory signal adapters in the same method it was removed from the factory fender.

3. Mount the signal adapter to the fender eliminator assembly plate using the same holes for the license plate.

4. Run the 2 turn signal wires through the round hole and connect it back to the bike.

Installing with aftermarket 10mm hole mount turn signals

1. Mount the 2 aftermarket turn signal adapters to the fender eliminator assembly plate mount upper hole.

2. Mount the aftermarket 10mm hole mount turn signals

3. Run the wires through the square hole and wire it to the bike

