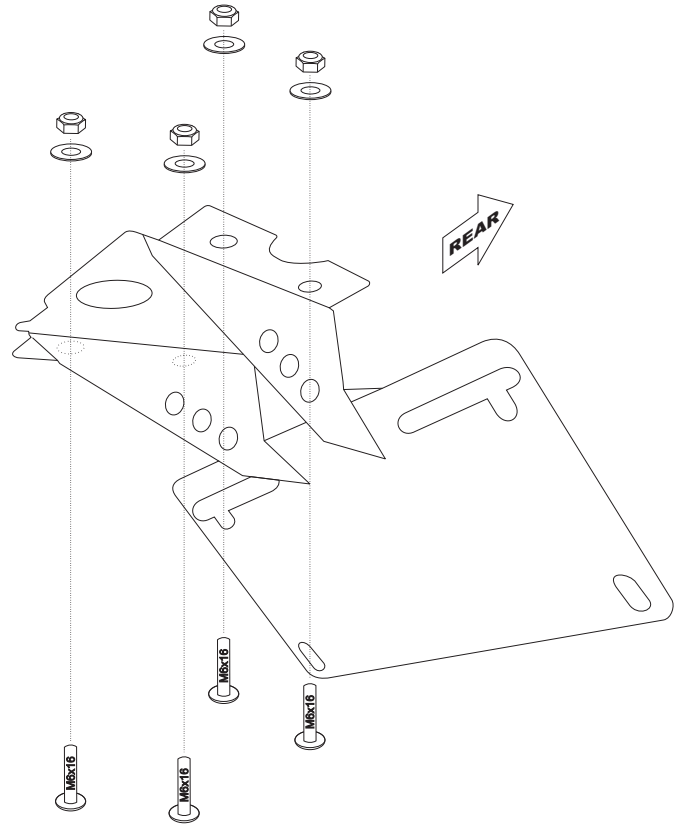


# Yamaha FZ-09 2014-2016 Fender Eliminator Kit

[Version 1.2]

## Parts List

- x1 License plate holder
- x1 License plate LED light
- x1 License plate adapter harness
- x4 6x12mm allen bolts
- x4 6x16mm allen bolts
- x8 6mm washers
- x8 6mm nylon lock nuts
- x2 OEM signal adapters
- x2 Aftermarket 10mm signal adapters



1. Remove seat and 2 side/under rear fairing panels and unbolt rear fender (4 nuts). These nuts will no longer be used. NOTE: Seat lock key hole will be exposed with the installation of this fender eliminator kit.
2. Unplug left and right turn signal connectors as well as license plate light connector.
3. Mount license plate holder to the bike using the 4 M6x16 bolts, washers and lock nuts supplied in this kit.
4. Attach the LED license plate light to plate holder. Feed wires through hole on plate holder. Attach adapter harness to LED plate light (Red>White wire and Black>Black wire) and plug it back into bike removed from step 2.
5. Mount license plate to plate holder using four 6x12mm bolts, washers, and lock nuts from this kit.
6. Optional: Mount OEM or aftermarket turn signal adapters to license plate mounting holes on plate holder using two/four 6x12mm allen bolts, washers, and nuts. Install OEM or aftermarket turn signals onto adapter and route wires through rear hole of the fender hole block plate and plug into appropriate plug removed from step 2. Aftermarket signals may require wiring. Refer to illustration on right to mount factory signals.
8. Check all lighting

