

2015-2017 Yamaha FJ-09, 2019-2020 Tracer 900/GT Fender Eliminator Kit

Parts List

x1 License plate holder
x1 License plate LED light
x1 License plate light harness adapter
x4 M6x20mm bolts
x4 M6x16mm bolts
x8 M6 nylon lock nuts
x4 M6 washers (spare)
x4 M6 large OD washers
x2 Factory signal adapters
x2 Aftermarket signal adapters

1. Remove seats.

2. Locate and unplug the left and right turn signals (black and gray connector - male) and license plate light plug (gray connector - female).

3. Unbolt the 4 nuts holding the fender to the chassis from above, support fender from underneath. Remove fender and turn signal/license plate wires with it.

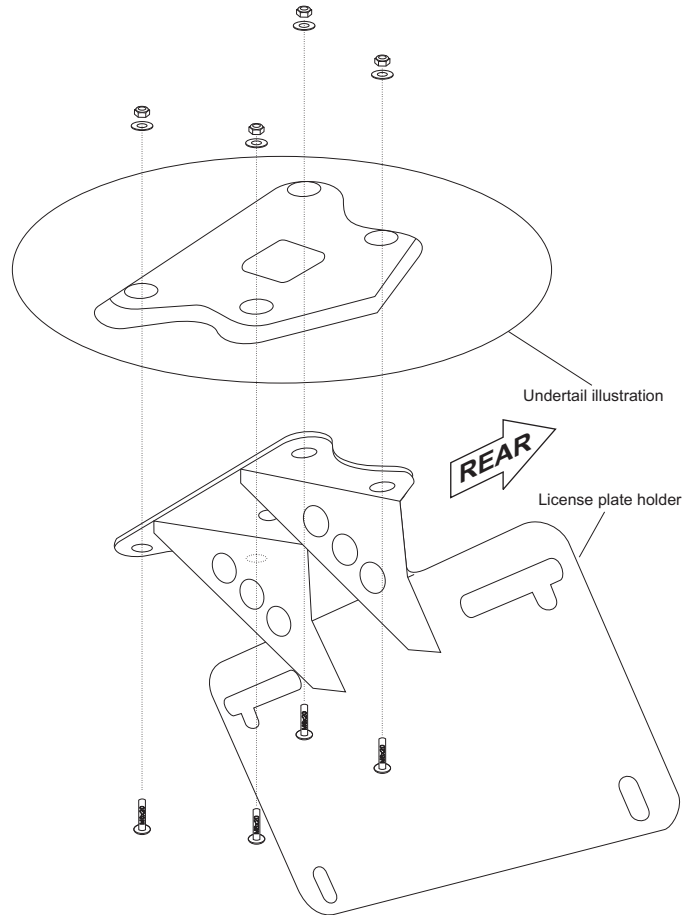
Optional: mount turn signals, see below

4. Mount the LED plate light to the license plate holder and run the wire through the center hole.

5. Mount the license plate holder undertail/chassis using the four M6x20mm bolts, M6 washers and lock nuts. See illustration to right.

6. Connect the license plate light harness adapter (Red>White and Black>Black) to the LED plate light and connect it back to the bikes harness (white plug).

7. Mount the license plate using the four M6x16mm bolts, large OD washers, and lock nuts. Bolt>Plate>License plate holder>washer>nut



Installing with factory rear turn signals

1. Remove the factory turn signals off the factory rear fender. Mount the factory turn signals to the factory turn signal adapter in the reverse steps from removal process.

2. Mount the entire assembly behind the license plate holder using same holes for the license plate

3. Route the wires through the center hole and plug it back into the left and right turn signal plugs

Installing with aftermarket 10mm hole mount turn signals

1. Mount the 2 aftermarket turn signal adapters to the license plate holder upper hole.

2. Mount the aftermarket 10mm hole mount turn signals to adapter

3. Run the wires through the elongated slot and wire it to the bike

