

INSTRUCTIONS

LED HEADLAMP ADAPTER HARNESS 2014+ Touring & Trike Models

Part Number:
WH-HD-02

WARNING

The rider's safety depends upon the correct installation of this kit. Use the appropriate service manual procedures. If the procedure is not within your capabilities or you do not have the correct tools, have an authorized dealer perform the installation. Improper installation of this kit could result in death or serious injury.

NOTES

- This instruction sheet references service manual information. A service manual for your model motorcycle is required for this installation and is available from a Harley-Davidson dealer.
- The body control module (BCM) must be programmed.

REMOVAL

WARNING

To prevent accidental vehicle start-up, which could cause death or serious injury, remove main fuse before proceeding.

1. Remove the main fuse. Follow the instructions in the service manual.
2. Remove the headlamp. Follow the instructions in the service manual.
3. Disconnect the OEM headlamp jumper harness from the main harness. Discard jumper.

INSTALLATION

Fairing Models

1. The two open wires are not used in most cases. Secure wires with electrical tape.
2. Connect the LED adapter harness to the main harness

NOTE

The fourth wire on the LED adapter harness is not used in all cases. It is for the position light on some headlamps.

3. Follow the instruction included with the new LED headlamp to connect and finish headlamp installation.
4. Install main fuse. Follow the instructions in the service manual.

Road King Models (FLHR)

1. Cut the OEM harness connectors off. If the vehicle may be returned to halogen lighting at a later date, leave enough wire at the connectors to allow splicing.
2. See Figure 1. Cut off connector (4) from the adapter harness.

NOTE

The blue wire on the LED adapter harness is not used in all cases. Wrap with electrical tape to insulate.

3. **HDI models:** Refer to 2 open wires (5). If the original headlamp was not equipped with a position lamp, secure the open 2 wires.
4. See Figure 1. Strip and splice the wires following the sealed splice connector procedure in the service manual.
 - a. Match wire colors.
 - b. Use the blue splice connectors for the 16 ga wires that were cut from connector (4).
 - c. **HDI models:** Use 2 blue splice connectors for the blue and black 16 ga wires that connect to the position lamp on certain models.
5. Follow the instructions included with the new LED headlamp to connect and finish headlamp installation.
6. Install main fuse. Follow the instructions in the service manual.

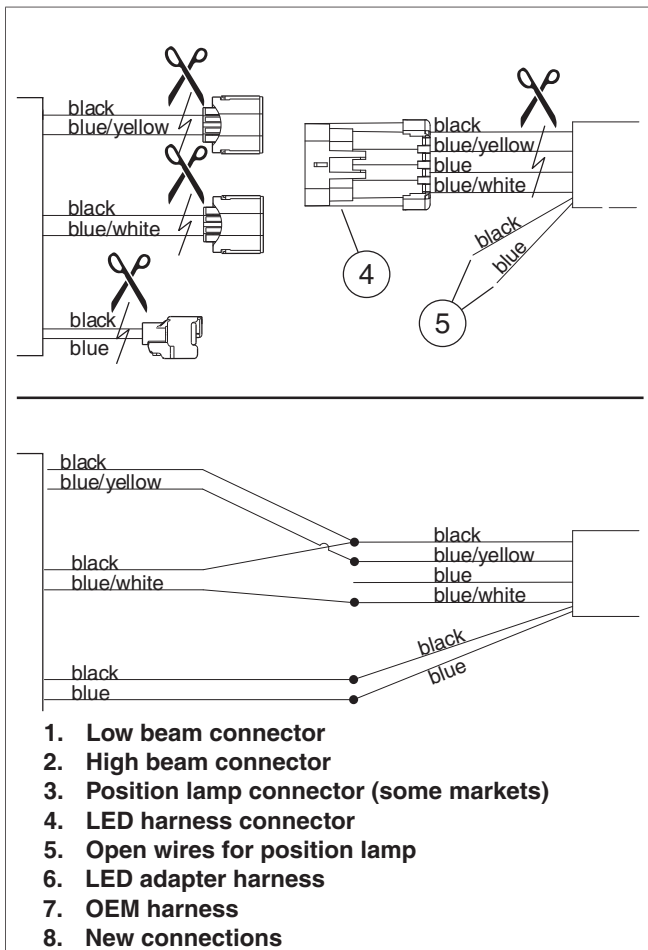


Figure 1. Reconfigure Harness: Road King FLHR/C

FINALIZE INSTALLATION

⚠ WARNING

Be sure headlamp, tail and stop lamp and turn signals are operating properly before riding. Poor visibility of rider to other motorists can result in death or serious injury.

1. Verify headlamp operation:
 - Direct optic LED:
 - a. **High beam:** Only the lower globe and both side lamps should light.
 - b. **Low beam:** Only the upper globe and both side lamps should light.
2. Follow the instructions in the service manual to align the headlamp.